

**结构特点 Design features**

- 双端面、多弹簧、平衡型、传动套传动结构，任意旋向，结构紧凑，安装方便；
- 安装尺寸符合欧洲标准 DIN24960；
- Double faces, with multiple spring, balanced structure and driven by brace ear and claw transmission, any rotation direction. It can be mounted conveniently.
- Conform to the standard of DIN24960.

**材料 Materials(to DIN24960)**

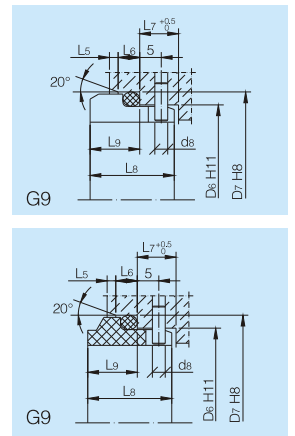
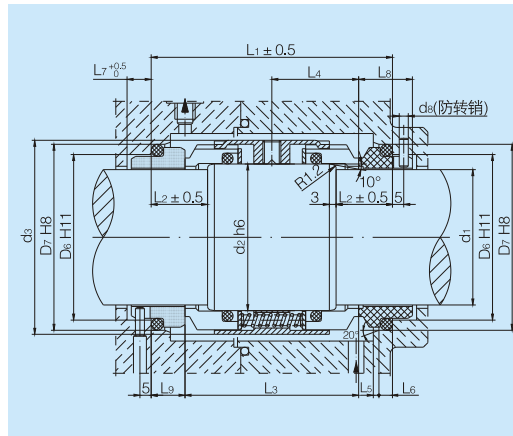
- 旋转环 Rotary Ring: A、Q1、Q2
- 静止环 Stationary Ring: A、B、Q1、Q2
- 辅助密封 Auxiliary Seal: P、E、V、M1
- 弹簧及其他结构件材料 Spring and Other Parts: F、G

**适用范围 Operating limits**

- 压力 Pressure:  $\leq 2.5\text{MPa}$
- 温度 Temperature:  $-40\sim 200^\circ\text{C}$
- 线速度 Speeds:  $\leq 20\text{m/sec}$
- 粘度 Viscosity:  $\leq 1.0\text{Pa}\cdot\text{s}(1000\text{cp})$ 软对硬(Soft VS Hard)  
 $\leq 3.5\text{Pa}\cdot\text{s}(3500\text{cp})$ 硬对硬(Hard VS Hard)

**介质 Medium**

酸、碱、盐、海水、气体易燃易爆有毒介质。  
Acids, alkali, salt, seawater, gases, flammable, and explosive toxic medium.



型号 Model	d <sub>1</sub>	d <sub>2</sub>	d <sub>3</sub>	D <sub>6</sub>	D <sub>7</sub>	d <sub>8</sub>	L <sub>1</sub>	L <sub>2</sub>	L <sub>3</sub>	L <sub>4</sub>	L <sub>5</sub>	L <sub>6</sub>	L <sub>7</sub>	L <sub>8</sub>	L <sub>9</sub>
CN H74D-14	14	18	33	21	25	3	73.0	18.0	53.0	26.5	1.5	4.0	8.5	17.5	10.0
CN H74D-16	16	20	35	23	27	3	73.0	18.0	53.0	26.5	1.5	4.0	8.5	17.5	10.0
CN H74D-18	18	22	37	27	33	3	76.0	20.0	53.0	26.5	2.0	5.0	9.0	19.5	11.5
CN H74D-20	20	24	39	29	35	3	76.0	20.0	53.0	26.5	2.0	5.0	9.0	19.5	11.5
CN H74D-22	22	26	41	31	37	3	76.0	20.0	53.0	26.5	2.0	5.0	9.0	19.5	11.5
CN H74D-24	24	28	43	33	39	3	77.0	20.0	54.0	27.0	2.0	5.0	9.0	19.5	11.5
CN H74D-25	25	30	45	34	40	3	77.0	20.0	54.0	27.0	2.0	5.0	9.0	19.5	11.5
CN H74D-28	28	33	48	37	43	3	77.0	20.0	54.0	27.0	2.0	5.0	9.0	19.5	11.5
CN H74D-30	30	35	50	39	45	3	77.0	20.0	54.0	27.0	2.0	5.0	9.0	19.5	11.5
CN H74D-32	32	38	55	42	48	3	79.0	20.0	56.0	28.0	2.0	5.0	9.0	19.5	11.5
CN H74D-33	33	38	55	42	48	3	79.0	20.0	56.0	28.0	2.0	5.0	9.0	19.5	11.5
CN H74D-35	35	40	57	44	50	3	80.0	20.0	57.0	28.5	2.0	5.0	9.0	19.5	11.5
CN H74D-38	38	43	60	49	56	4	85.0	23.0	57.0	28.5	2.0	6.0	9.0	22.0	14.0
CN H74D-40	40	45	62	51	58	4	85.0	23.0	57.0	28.5	2.0	6.0	9.0	22.0	14.0
CN H74D-43	43	48	65	54	61	4	85.0	23.0	57.0	28.5	2.0	6.0	9.0	22.0	14.0
CN H74D-45	45	50	67	56	63	4	84.0	23.0	56.0	28.0	2.0	6.0	9.0	22.0	14.0
CN H74D-48	48	53	70	59	66	4	84.0	23.0	56.0	28.0	2.0	6.0	9.0	22.0	14.0
CN H74D-50	50	55	72	62	70	4	93.0	25.0	63.0	31.5	2.5	6.0	9.0	23.0	15.0
CN H74D-53	53	58	79	65	73	4	97.0	25.0	67.0	33.5	2.5	6.0	9.0	23.0	15.0
CN H74D-55	55	60	81	67	75	4	97.0	25.0	67.0	33.5	2.5	6.0	9.0	23.0	15.0
CN H74D-58	58	63	84	70	78	4	104.0	25.0	74.0	37.0	2.5	6.0	9.0	23.0	15.0
CN H74D-60	60	65	86	72	80	4	104.0	25.0	74.0	37.0	2.5	6.0	9.0	23.0	15.0
CN H74D-63	63	68	89	75	83	4	109.0	25.0	79.0	39.5	2.5	6.0	9.0	23.0	15.0
CN H74D-65	65	70	91	77	85	4	98.0	25.0	68.0	34.0	2.5	6.0	9.0	23.0	15.0
CN H74D-70	70	75	99	83	92	4	112.5	28.0	76.5	38.2	2.5	7.0	9.0	26.0	18.0
CN H74D-75	75	80	104	88	97	4	112.5	28.0	76.5	38.2	2.5	7.0	9.0	26.0	18.0
CN H74D-80	80	85	109	95	105	4	112.5	28.0	76.0	38.0	3.0	7.0	9.0	26.2	18.2
CN H74D-85	85	90	114	100	110	4	112.5	28.0	76.0	38.0	3.0	7.0	9.0	26.2	18.2
CN H74D-90	90	95	119	105	115	4	112.5	28.0	76.0	38.0	3.0	7.0	9.0	26.2	18.2
CN H74D-95	95	100	124	110	120	4	110.5	28.0	76.0	38.0	3.0	7.0	9.0	25.2	17.2
CN H74D-100	100	105	129	115	125	4	110.5	28.0	76.0	38.0	3.0	7.0	9.0	25.2	17.2